

(M105-F, M105-FC)		D (H)	S ( )	T ( )	C ( )
M105-FC		5,1	50	1800	750
M105-F		9,2	100	1800	2000

**MITSUBISHI OUTLANDER XL 2006-...**

D = g\* TC/T+C

S -

T -

C -

(M105-F, M105-FC) MITSUBISHI OUTLANDER XL 2006-...  
1000

28248-89 «

37.001.096-93 «

80 /

1.		2.	
		(M105-F, M105-FC) MITSUBISHI OUTLANDER XL 2006-...	1
	50		1
	23		1
			1

3.

10 40 1,25(1),  
(11)

(12,13)

12 40(2),  
( )

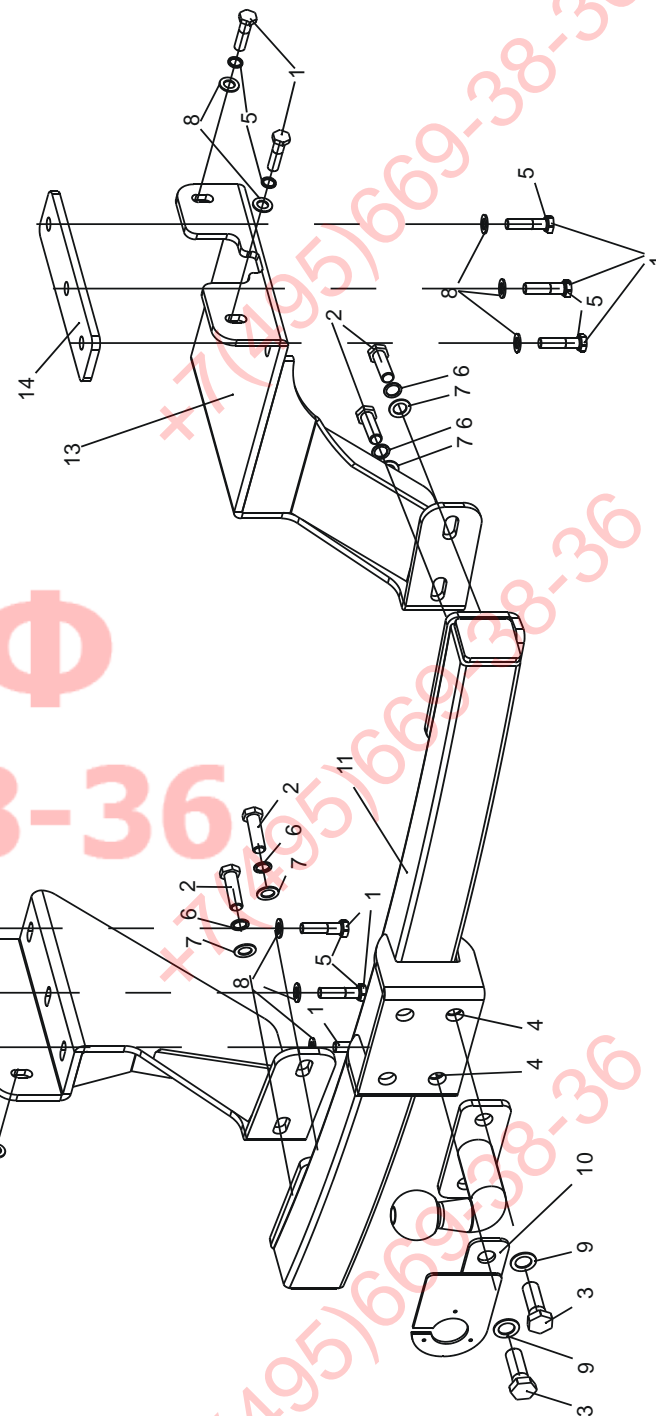
1.

4.

.1 ( )

1 (L/1)			
2 (54/2G)			
3 (31/3)			
4 (R/4)			
5 (58R/5)			
6 (54/6)			
7 (58L/7)			

1	10	1.25	40
2	12	40	
3	16	45	
4	16		
5	d10		
6	d12		
7	d12		
8	d10		
9	d16		
10	F		
11			
12			
13			
14	8		



**M 105-F**